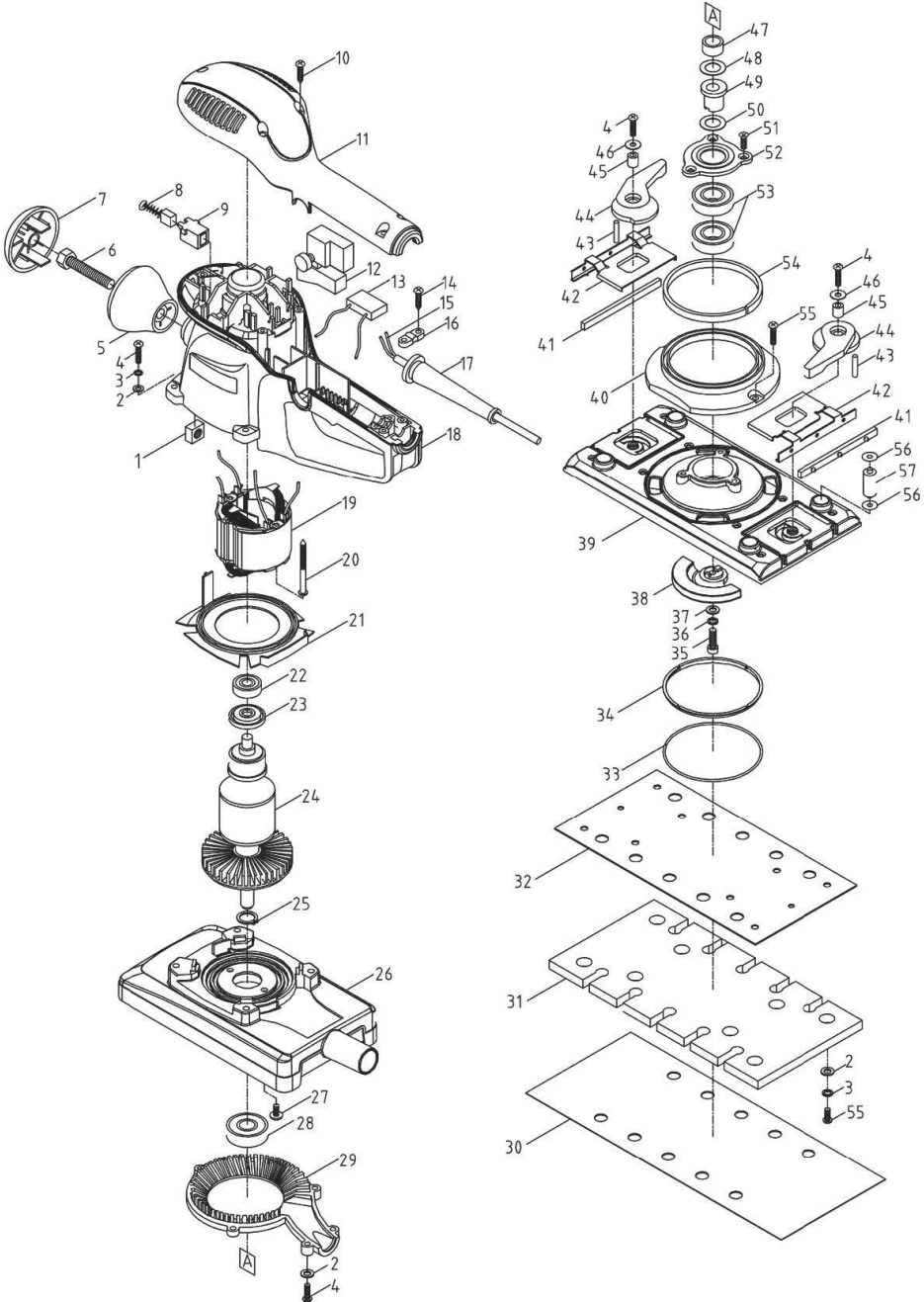


EXPLODED VIEW



RDI-SA25 Spare Parts List

PART NO.	DESCRIPTION	QTY	PART NO.	DESCRIPTION	QTY
1	Square NUT M8	1	30	Sanding paper	1
2	Flat washer4	17	31	Sponge sheet	1
3	Spring washer 4	12	32	Bottom plate	1
4	Screw M4×16	11	33	O ring $\Phi 74 \times \Phi 2$	1
5	Auxiliary handle	1	34	Dust cover	1
6	Bolt M8×45	1	35	Screw M5×16	1
7	Handle cover	1	36	Spring washer 5	1
8	Carbon brush	2	37	Flat washer 5	1
9	Brush holder	2	38	Balance block	1
10	Scew ST4.2×16	5	39	Base plate	1
11	Top cover	1	40	Dust-collection cover	1
12	Switch	1	41	Rubber block	2
13	Capacitor 0.22 μ F	1	42	Paper clamp	2
14	Screw ST4.2×12	2	43	Pin $\Phi 3 \times 15$	4
15	Cord and plug	1	44	Paper locker	2
16	Cord Clamp	1	45	Fixing bush	2
17	Cord protector	1	46	Flat washer $\Phi 4.5 \times \Phi 12.5 \times 0.5$	2
18	Housing	1	47	Bushing	1
19	Stator assy	1	48	Flat washer $\Phi 10 \times \Phi 16 \times 0.5$	1
20	Screw ST4.8×50	2	49	Eccentricity glove	1
21	Wind guard	1	50	Flat washer $\Phi 15.5 \times \Phi 24.5 \times 0.2$	1
22	Bearing 608-2Z	1	51	Screw M4×10	3
23	Dust cover	1	52	Bearing cover	1
24	Rotor assy	1	53	Bearing 6002-2Z	2
25	Circlip 12	1	54	Woolen Ring	1
26	Base seat	1	55	Screw M4×10	10
27	Screw M4×8	2	56	O ring $\Phi 4 \times \Phi 4$	8
28	Bearing 6201-2Z	1	57	Pin	4
29	Dust port	1			